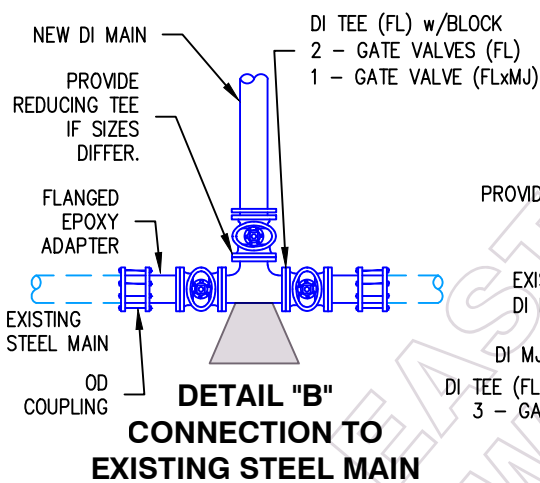
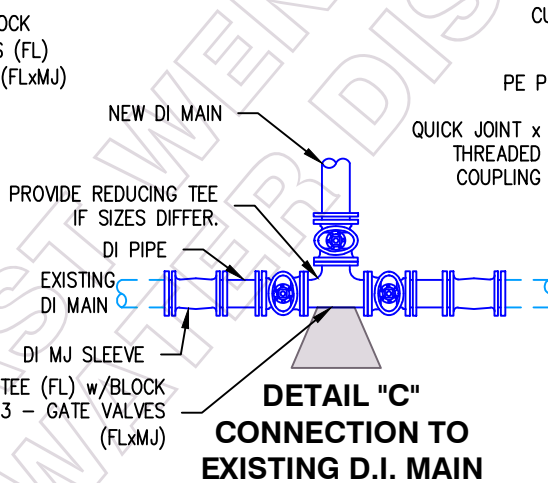


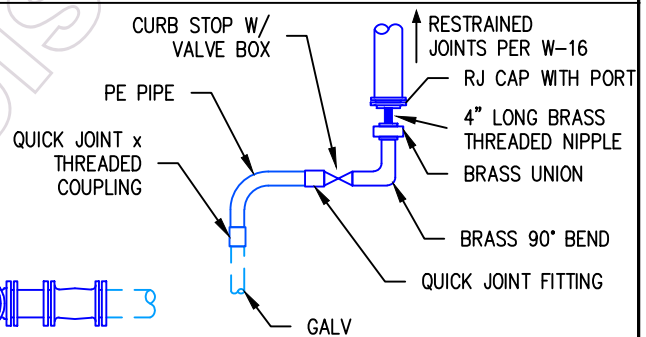
**DETAIL "A"**  
**CONNECTION TO EXISTING BRANCH MAIN**



**DETAIL "B"**  
**CONNECTION TO EXISTING STEEL MAIN**

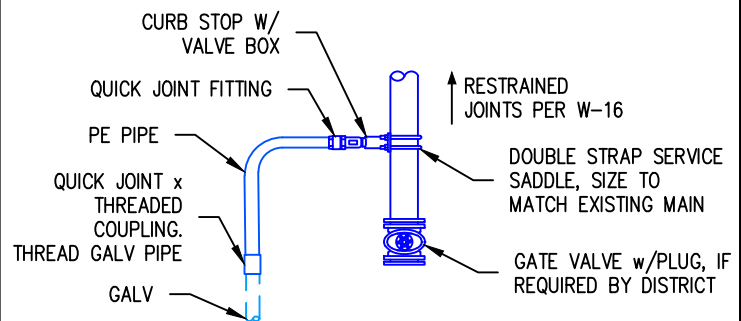


**DETAIL "C"**  
**CONNECTION TO EXISTING D.I. MAIN**



**DETAIL "D"**  
**CONNECTION TO 2" OR SMALLER LOOPED MAIN**

1. DISTRICT WILL SELECT WHICH DETAIL TO USE AT EACH CONNECTION.
2. OD COUPLINGS 3" DIAMETER AND LARGER SHALL BE ROMAC 501, 511 OR EQUAL, WITH 7" CENTER RING LENGTH MINIMUM. CUT PIPE SUCH THAT NO GAP OCCURS BETWEEN NEW AND EXISTING PIPE INSIDE COUPLING. CUT AND INSTALL SPACER PIPE IF GAP LARGER THAN 1/2" OCCURS.
3. RJ = RESTRAINED JOINT: MEGALUGS, FIELD-LOK GASKETS OR DISTRICT APPROVED EQUAL. SEE STANDARD DETAIL W-16.
4. PRE-PRESSURE TEST TEE/CROSS/VALVE ASSEMBLIES BEFORE CUTTING INTO EXISTING MAINS.
5. FLANGED EPOXY ADAPTER IS A FLxPE STEEL SPOOL, EPOXY OR POWDER COATED INSIDE AND OUT. STEEL PIPE TO BE NOMINAL O.D. SIZE (e.g. 6" = 6.0" O.D.). COATING TO BE NSF61 CERTIFIED. SPOOL TO BE 3/16" MIN. WALL THICKNESS.



**DETAIL "E"**  
**CONNECTION TO 2" OR SMALLER DEAD END MAIN**

**East Wenatchee  
Water District**



WATER SYSTEM STANDARD DETAIL  
**CONNECTIONS TO EXISTING MAINS**