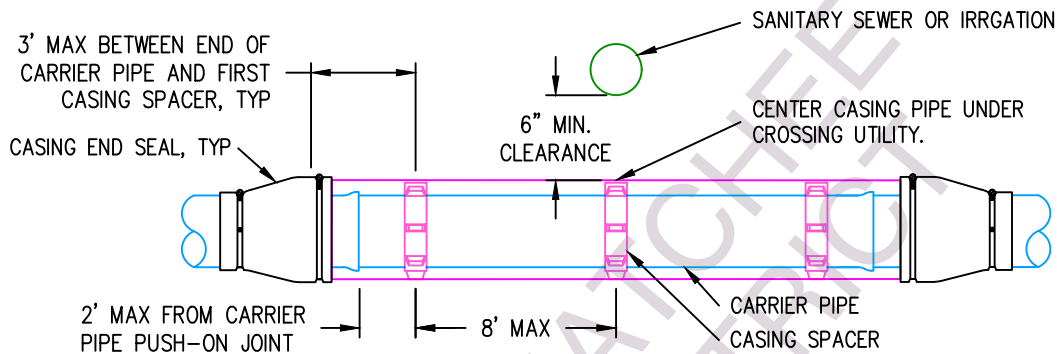


CASING PIPE LONGER THAN 20' DETAIL



20' CASING PIPE DETAIL

1. CASING TO BE USED WHEN
 - WATERMAIN CROSSES UNDER SANITARY SEWER OR IRRIGATION.
 - WATERMAIN CROSSES OVER SANITARY SEWER OR IRRIGATION WITH LESS THAN 18" CLEARANCE.
 - AT THE DISCRETION OF THE DISTRICT.
 - ALTERNATELY, SANITARY SEWER OR IRRIGATION MAY BE CASED OR CONSTRUCTED OF WATERMAIN CLASS MATERIALS (DI, C900 PVC, ETC.)
 2. CASINGS SHALL BE NEW 0.25" THICK STEEL, CL 50 DI, DR17 HDPE, OR DR21 C900 PVC; MATERIAL AND WALL THICKNESS AT THE DISCRETION OF THE DISTRICT.
 3. PIPE THROUGH CASINGS SHALL BE SUPPORTED WITH RUNNERS SPACED MEETING THE FOLLOWING REQUIREMENTS:
 - NO FARTHER THAN 8 FEET BETWEEN RUNNERS
 - A RUNNER NO FARTHER THAN 3 FEET FROM EACH END OF THE CASING
 - A RUNNER NO FARTHER THAN 2 FEET FROM EACH CARRIER PIPE PUSH-ON JOINT.
 4. RUNNERS SHALL BE MANUFACTURED PRODUCTS (APS, CALPICO, OR APPROVED EQUAL), NO BLOCKS AND STRAPS. CASING ENDS SHALL BE CAPPED WITH MANUFACTURED CASING END SEALS.
 5. CASING LENGTH AS NECESSARY TO EXTEND 10 FEET PAST THE UTILITY CROSSING, BOTH SIDES, OR AS DIRECTED BY THE DISTRICT.
 6. CASING RUNNERS TO BE SELECTED SO CLEARANCE BETWEEN TOP RUNNER LEG AND CASING DOES NOT EXCEED 1".
 7. MINIMUM INSIDE DIAMETER OF CASING TO BE THE LARGER OF 3" MORE THAN PIPE BELL OR 5" MORE THAN PIPE BARREL O.D.
- ASSUMING STANDARD PUSH-ON JOINT DI CARRIER PIPE:
- 6" PIPE (8.7" BELL) – 12" CASING I.D.
 - 8" PIPE (10.9" BELL) – 14" CASING I.D.
 - 12" PIPE (15.1" BELL) – 18" CASING I.D.
 - 16" PIPE (20.0" BELL) – 24" CASING I.D.
 - 18" PIPE (22.0" BELL) – 26" CASING I.D.
 - OTHER SIZES OR TYPES OF CARRIER PIPE, CONFIRM WITH DISTRICT.



East Wenatchee Water District

WATER SYSTEM STANDARD DETAIL

COPYRIGHT 2025 EAST WENATCHEE WATER DISTRICT. MAY BE REPRODUCED UNMODIFIED FOR DISTRICT PROJECTS. OTHER REPRODUCTION OR USE WITHOUT THE DISTRICT'S WRITTEN CONSENT IS PROHIBITED.

PIPE CASING

FILENAME: EWDTW32
REVISED: MAR 16, 2023

DRAWING No. W-32
SHEET No. 7