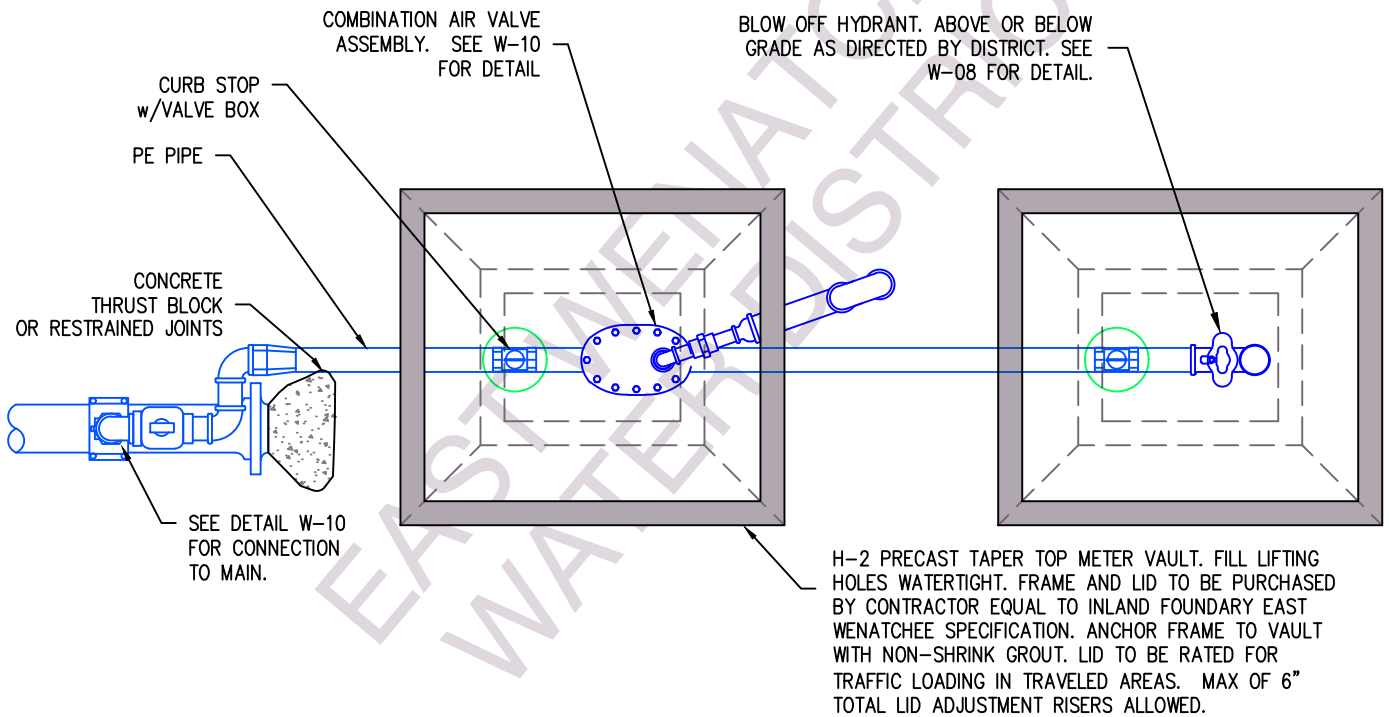


ELEVATION



PLAN VIEW

1. INSTALL STANDARD MARKER POST IDENTIFYING VALVE LOCATION.
2. SET VAULT LID FLUSH WITH SIDEWALK OR CURB IF LOCATED IN A LAWN.
3. SET VAULT LID 2" ABOVE FINISHED GRADE IF IN A LANDSCAPING AREA.
4. ALL FITTINGS TO BE COPPER OR BRASS UNLESS OTHERWISE NOTED.
5. SEE THE COMBINATION AIR VALVE AND BLOW OFF STANDARD DETAILS FOR MORE INFORMATION.



East Wenatchee Water District
WATER SYSTEM STANDARD DETAIL

COPYRIGHT 2025 EAST WENATCHEE WATER DISTRICT. MAY BE REPRODUCED UNMODIFIED FOR DISTRICT PROJECTS. OTHER REPRODUCTION OR USE WITHOUT THE DISTRICT'S WRITTEN CONSENT IS PROHIBITED.

COMBINATION AIR VALVE & BLOW-OFF ASSEMBLIES

FILENAME: EWDTW17
REVISED: JUL 18, 2008

DRAWING No. W-11
SHEET No. 14