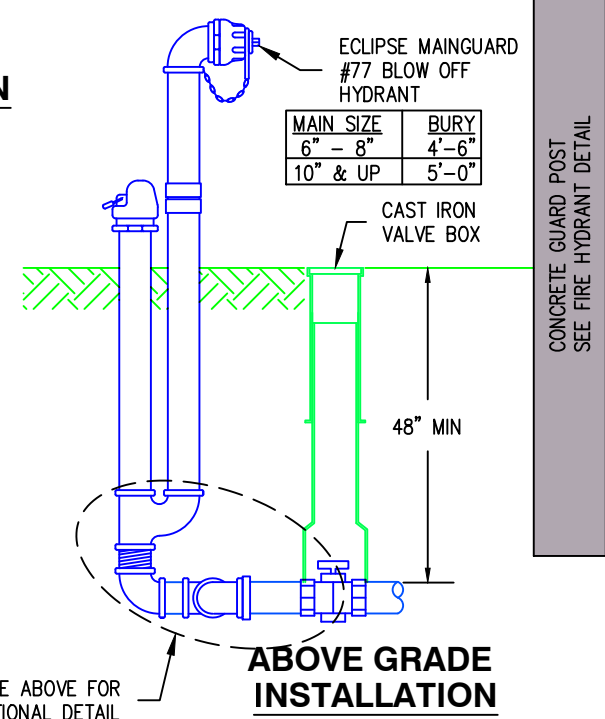


**BELOW GRADE INSTALLATION**

1. SEE DETAIL W-29 FOR VAULT INSTALLATION REQUIREMENTS.
2. CAP OR PLUG ON WATER MAIN TO BE RESTRAINED PER W-16, BY STANDARD THRUST BLOCK, OR DEADMAN THRUST BLOCK AS APPROVED BY THE DISTRICT.
3. CONTACT WATER DISTRICT TO DETERMINE WHETHER THE ABOVE GRADE OR BELOW GRADE HYDRANT IS TO BE USED FOR EACH INSTANCE.
4. PLACEMENT OF HYDRANT TO BE VERIFIED WITH DISTRICT PRIOR TO INSTALLATION. DISTRICT MAY REQUIRE A MINIMUM 3' RADIUS CLEAR ZONE AROUND HYDRANT AND THE INSTALLATION OF GUARD POSTS. DETERMINATION WILL BE MADE PER INSTALLATION.



**ABOVE GRADE INSTALLATION**

SEE ABOVE FOR ADDITIONAL DETAIL



**East Wenatchee Water District**  
WATER SYSTEM STANDARD DETAIL

COPYRIGHT 2025 EAST WENATCHEE WATER DISTRICT. MAY BE REPRODUCED UNMODIFIED FOR DISTRICT PROJECTS. OTHER REPRODUCTION OR USE WITHOUT THE DISTRICT'S WRITTEN CONSENT IS PROHIBITED.

**PERMANENT BLOW-OFF HYDRANT**

FILENAME: EWD TW1  
REVISED: FEB 10, 2023

DRAWING No. W-08  
SHEET No. 11