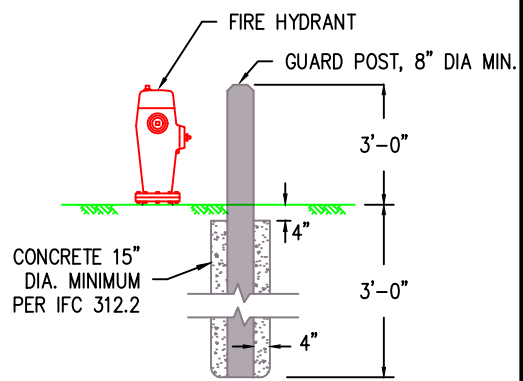
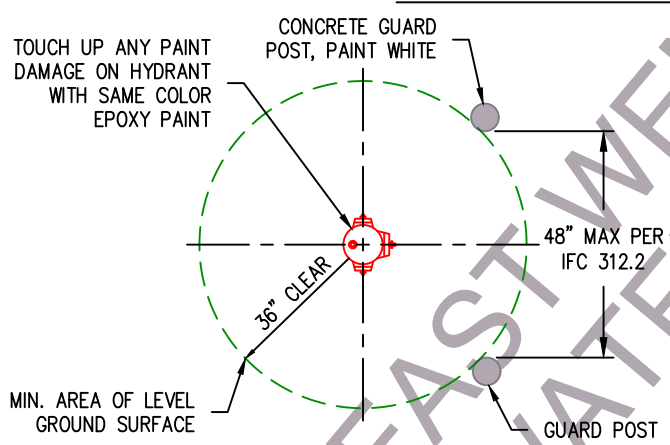


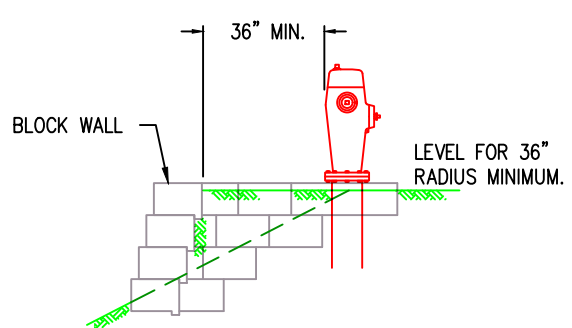
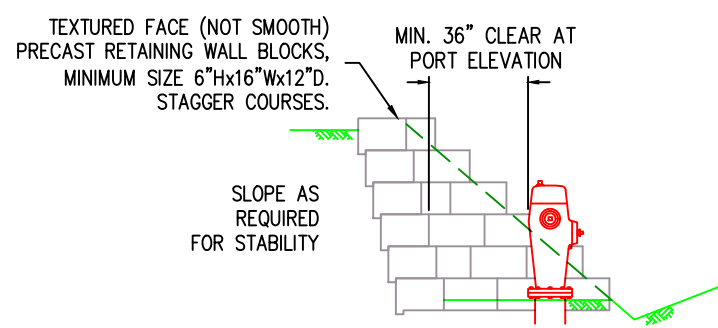
HYDRANTS SHALL BE INSTALLED AT THE END OF ALL 8" DIAMETER AND LARGER DEAD END MAINS.

TYPICAL HYDRANT LOCATIONS



GUARD POST PLAN

GUARD POST ELEVATION



HILL CUT

SLOPE FILL



East Wenatchee Water District

WATER SYSTEM STANDARD DETAIL

COPYRIGHT 2025 EAST WENATCHEE WATER DISTRICT. MAY BE REPRODUCED UNMODIFIED FOR DISTRICT PROJECTS. OTHER REPRODUCTION OR USE WITHOUT THE DISTRICT'S WRITTEN CONSENT IS PROHIBITED.

HYDRANT LOCATIONS

FILENAME: EWD TW8
REVISED: FEB 10, 2023

DRAWING No. W-23
SHEET No. 10