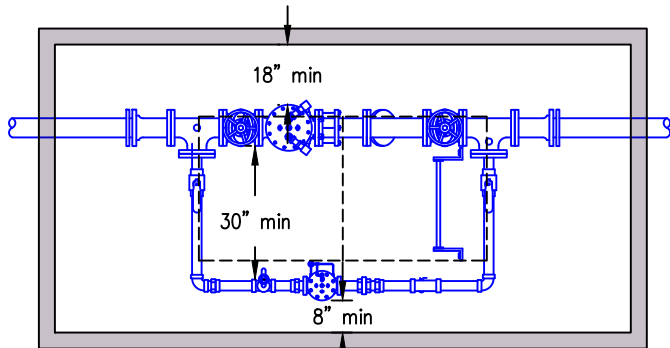


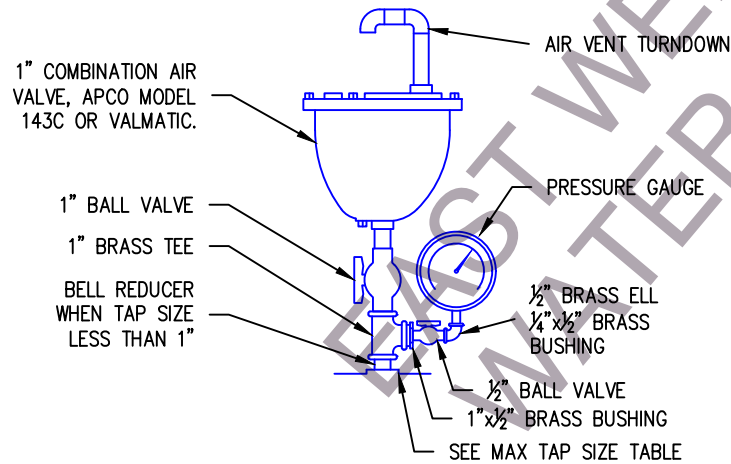
6"x2" PRV STATION



4"x2" PRV STATION

SIZING TABLE (MIN SIZES)			
Main Line	Main PRV	Bypass Line	Utility Vault
12"	8"	3"	712-LA
10"	8"	3"	712-LA
8"	6"	2"	612-LA
6"	4"	2"	5106-LA

1. SEE STD DETAIL W-19 FOR ADDITIONAL STATION INFORMATION.
2. PREP ALL SURFACES PER PAINT MANUFACTURER'S INSTRUCTIONS PRIOR TO APPLICATION. REMOVE ALL DIRT, GREASE, SCALE AND RUST. FACTORY COATINGS SHALL BE ROUGHENED TO PROVIDE ADEQUATE PROFILE FOR TOP COATS.
3. COAT DI PIPE, FITTINGS AND STEEL FASTENERS WITH POLYIMIDE EPOXY PAINT, 2 COATS AT 5 DRY MILS EACH. COLOR: LIGHT BLUE. PIPE SHALL BE EMPTY DURING COATING.
4. ALL BALL VALVES AND CURB STOP SHALL BE FULL-PORT.
5. ALL SHACKLE SYSTEMS SHALL BE PER W-07.
6. SEE W-26 FOR ADDITIONAL VAULT INSTALLATION DETAILS



GAUGE & AIR VALVE

- NOTES:
- GAUGE & AIR VALVE COMBO SHALL BE INSTALLED ON BOTH SIDES OF THE PRV.
 - BRASS NIPPLES NOT CALLED OUT, PROVIDE AS NECESSARY.
 - PRESSURE GAUGE WITH 4.5" FACE, GLYCERINE FILLED, SCALE RANGE NO LESS THEN 1.2x NOR MORE THAN 2x WORKING PRESSURE.

MAX TAP SIZE TABLE	
• 0.5"	FOR 3" TEE
• 0.75"	FOR 4"-6" TEE
• 1"	FOR 8" AND LARGER TEES

- | | |
|---|--|
| (A) 2" BRASS BALL VALVE (THREADED) | (G) 2" BRASS UNION |
| (B) 2" BRASS 90° BEND (THREADED) | (H) STRAINER (THREADED) EQUAL TO WATTS 777S AND BRONZE BALL VALVE FOR BLOW OUT |
| (C) 2" BRASS TEE (THREADED)
¾" HOSE BIB | (I) 4" DI BLIND FLANGE w/2" TAP |
| (D) 2" BRASS THREADxSWEAT ADAPTER | |
| (E) 2" COPPER PIPE, LTF | |
| (F) PRESSURE REDUCING VALVE (THREADED) EQUAL TO CLA-VAL, 90G-01ABS. EPOXY LINING, VALVE POSITION INDICATOR, POLY PILOT LINES. | |

USE THREADED BRASS NIPPLES (NOT CALLED OUT) ON BYPASS PIPING. USE CLOSE NIPPLES WHEREVER POSSIBLE.



East Wenatchee Water District
WATER SYSTEM STANDARD DETAIL

COPYRIGHT 2025 EAST WENATCHEE WATER DISTRICT. MAY BE REPRODUCED UNMODIFIED FOR DISTRICT PROJECTS. OTHER REPRODUCTION OR USE WITHOUT THE DISTRICT'S WRITTEN CONSENT IS PROHIBITED.

PRESSURE REDUCING STATION DETAILS

FILENAME: EWD TW5	DRAWING No. W-17
REVISED: MAY 2, 2018	SHEET No. 24